

**CS140 (A566)**

## PARTS CATALOG

### INTRODUCTION

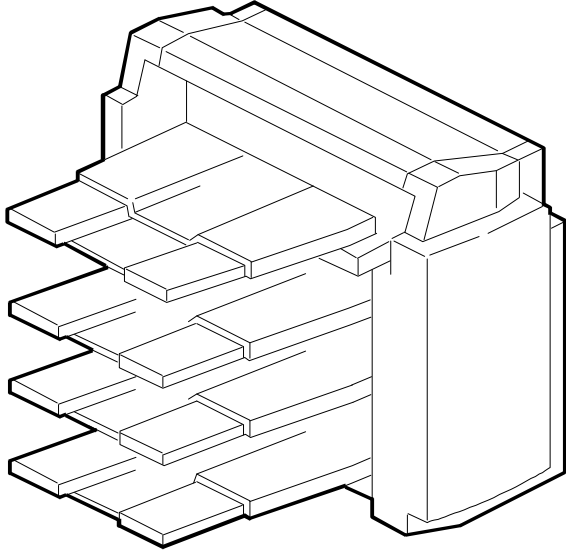
This chapter instructs you the numbers and names of parts on this machine.

### INDEX to PARTS CATALOG

<b>LOCATION OF UNIT .....</b>	<b>3</b>
1.EXTERIOR 1 (A566) .....	4
2.VERTICAL TRANSPORT (A566) .....	6
3.TRANSPORT SECTION (A566).....	8
4.TRANSPORT DRIVE SECTION 1 (A566).....	10
5.TRANSPORT DRIVE SECTION 2 (A566).....	12
6.ELECTRICAL SECTION (A566).....	14
7.DECAL AND DOCUMENT (A566) .....	16
<b>PARTS INDEX .....</b>	<b>19</b>

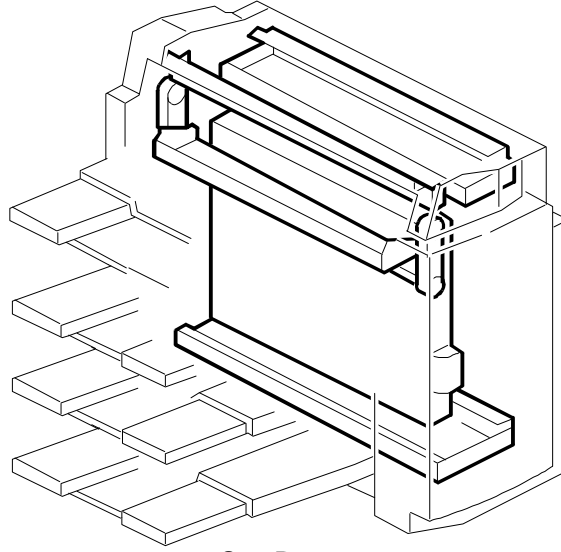
# LOCATION OF UNIT

1. EXTERIOR 1 (A566)



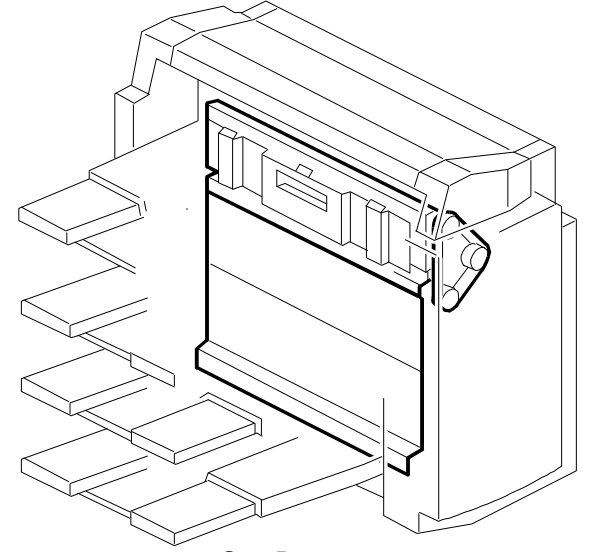
See Page 4

2. VERTICAL TRANSPORT (A566)



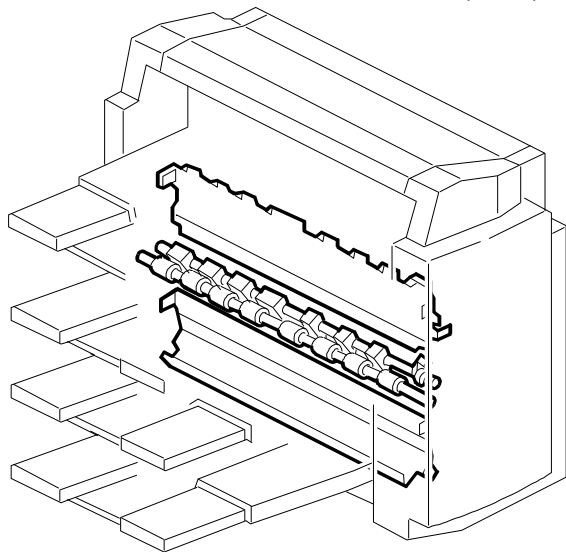
See Page 6

3. TRANSPORT SECTION (A566)



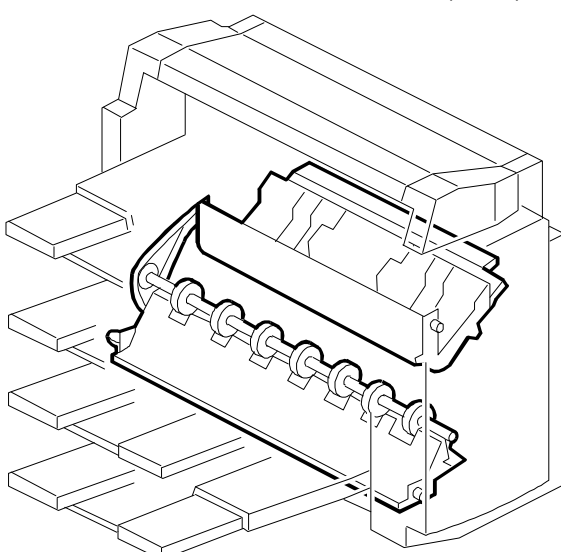
See Page 8

4. TRANSPORT DRIVE SECTION 1 (A566)



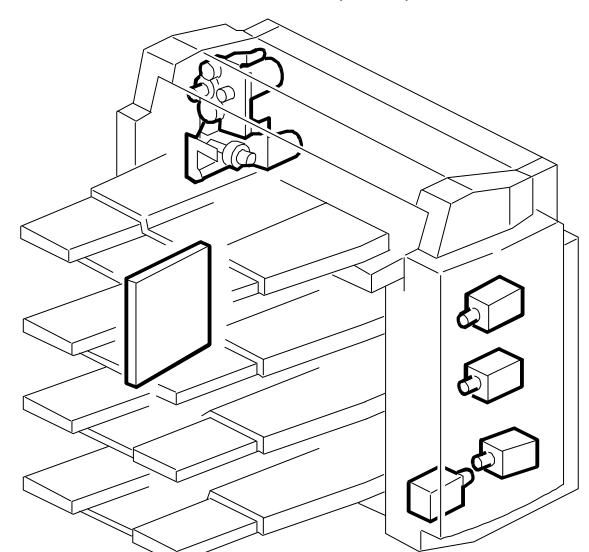
See Page 10

5. TRANSPORT DRIVE SECTION 2 (A566)



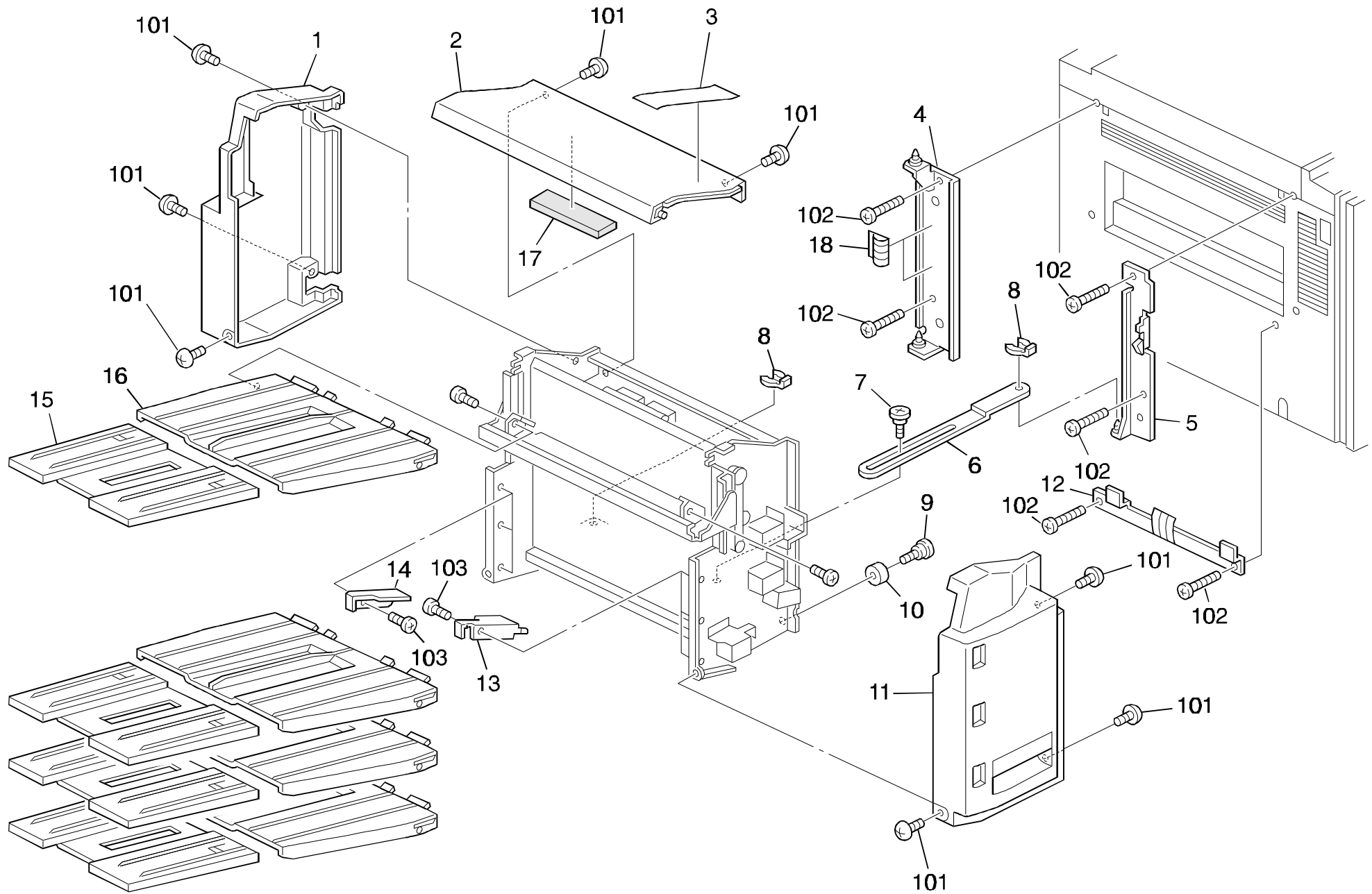
See Page 12

6. ELECTRICAL SECTION (A566)



See Page 14

# 1. EXTERIOR 1 (A566)

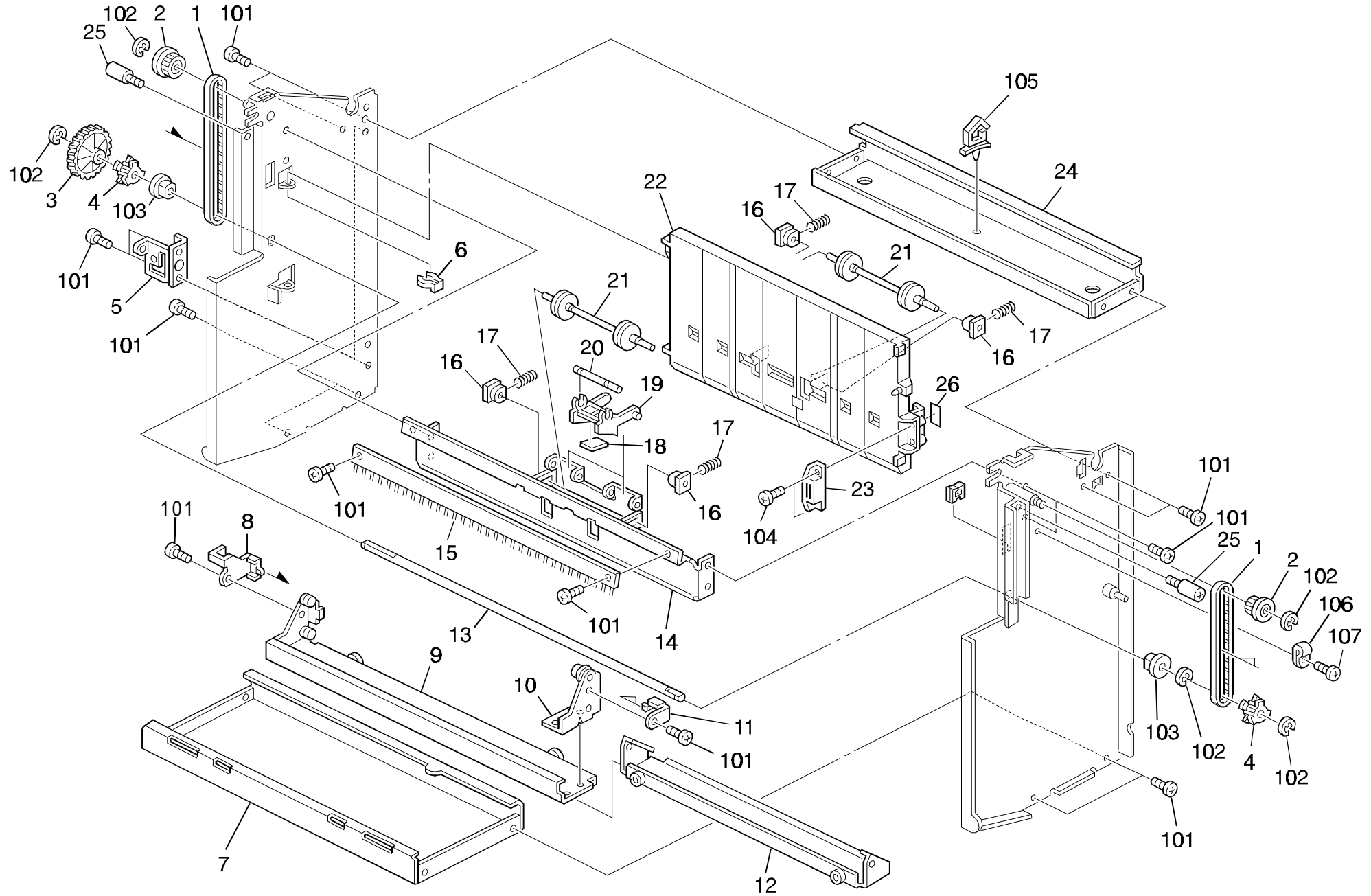


# 1. EXTERIOR 1 (A566)

Index No.	Part No.	Description	Q'ty Per Assembly
1	A566 4211	Rear Cover	1
2	A566 4311	Upper Cover	1
3	A566 4521	Decal - Misfeed Removal	1
4	A566 1150	Hinge Bracket	1
5	A566 1160	Release Bracket	1
6	A566 1127	Release Guide	1
7	AA14 3037	Development Cover Screw	1
8	5447 2681	Snap Ring	2
9	AA14 3307	Stepped Screw - M3x4	1
10	A393 4517	Cushion - Sorter	1
11	A566 4101	Front Cover Ass'y	1
12	A566 1180	Grounding Plate	1
13	A566 1140	Front Bracket - Copy Tray	1
14	A566 1145	Rear Bracket - Copy Tray	1
15	AF04 3076	Copy Tray Slide	4
16	A566 4411	Copy Tray	4
17	AA16 2051	Cushion	1
18	A566 1155	Grounding : Open And Close	1

Index No.	Part No.	Description	Q'ty Per Assembly
101	0344 0060F	Philips Truss Head Screw - M4x6	
102	0314 0120B	Philips Pan Head Screw - M4x12	
103	0314 0060B	Philips Pan Head Screw - M4x6	

## 2. VERTICAL TRANSPORT (A566)

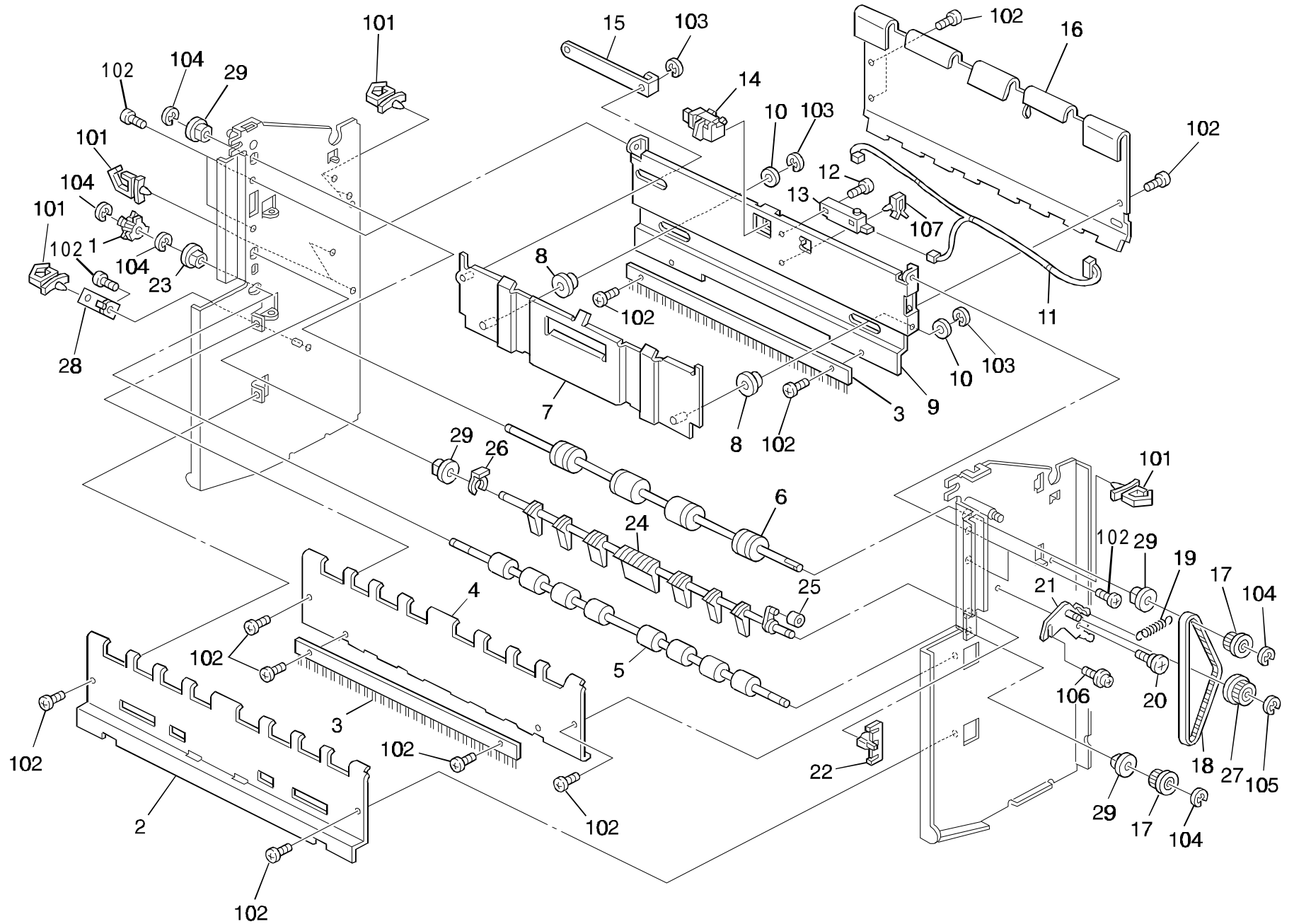


## 2. VERTICAL TRANSPORT (A566)

Index No.	Part No.	Description	Q'ty Per Assembly
1	A566 3841	Timing Belt - 285P3M6	2
2	AB03 0250	Idle Pulley - 17z	2
3	A566 3812	Driven Gear - 49z	1
4	A566 3813	Pulley - 17Z	2
5	A566 1130	Hinge Stopper	1
6	5447 2681	Snap Ring	1
7	A566 1126	Lower Stay	1
8	A566 3831	Rear Mounting Plate	1
9	A566 3610	Rail Holder	1
10	A566 3620	Rail Support Plate	1
11	A566 3832	Front Mounting Plate	1
12	A566 3630	Copy Tray Rail	1
13	A566 3811	Shift Drive Shaft	1
14	A566 1601	Upper Shift Guide	1
15	AA12 0027	Antistatic Brush	1
16	AA08 0034	Bushing - 4x5x7	4
17	AA06 3529	Pressure Spring - 14.5mm	4
18	AA16 1029	Rubber Seal - 0.8x8x15	1
19	A566 1611	Paper Holder Lever	1
20	A566 1612	Paper Holder Shaft	1
21	AF02 2075	Driven Roller	2
22	A566 1636	Release Middle Guide	1
23	AG07 0004	Magnetic Catch	1
24	A566 1120	Upper Stay	1
25	5410 1291	Return Lever Pin	2
26	A566 4500	Grip Sheel	1

Index No.	Part No.	Description	Q'ty Per Assembly
101	0314 0060B	Philips Pan Head Screw - M4x6	
102	0720 0040E	Retaining Ring - M4	
103	5053 0447	Bushing - 6mm	
104	0434 0102B	Tapping Screw - M4x10	
105	1105 0310	Wire Clamp	
106	1105 0008	Nylon Clamp - 2n	
107	0951 4008B	Philips Screw With Washer - M4x8	

### 3. TRANSPORT SECTION (A566)



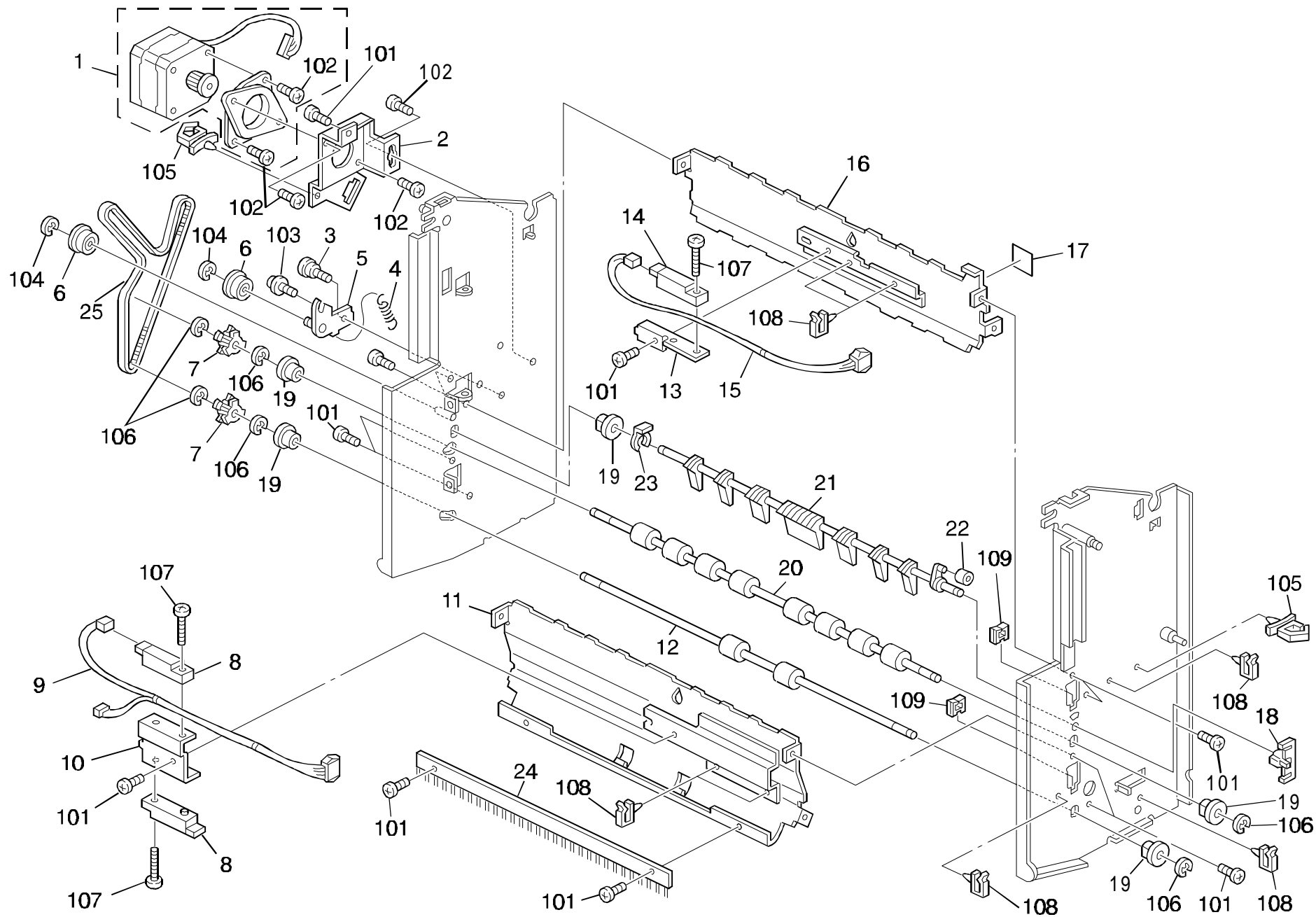


### 3. TRANSPORT SECTION (A566)

Index No.	Part No.	Description	Q'ty Per Assembly
1	AB03 0374	Timing Pulley - 20Z	1
2	A566 1630	Lower Exit Cover	1
3	AA12 0027	Antistatic Brush	2
4	A566 1626	Upper Exit Cover	1
5	A566 1500	Exit Roller - Lower	1
6	A566 1501	Upper Exit Roller	1
7	A566 3530	End Fence Assy	1
8	A566 3542	Roller Bracket	2
9	A566 3521	Slide Guide Stay	1
10	A566 3541	Roller Color	2
11	A566 5320	Relay Harness - Paper Level	1
12	A566 3850	Screw	1
13	AW01 0027	Photosensor - ON2530 CT	1
14	AW02 0079	Photointerruptor	1
15	A566 3543	Slider Lever	1
16	A566 1620	Middle Shift Guide	1
17	AB03 0362	Timing Pulley - 15Z	2
18	A566 2155	Timing Belt - B40S3M339	1
19	5442 4121	Spring - Oil Blade	1
20	5413 1882	Stepped Screw	1
21	A566 2115	Tightner Bracket	1
22	A566 1510	Gate Pawl Lever	1
23	AA08 0071	Bushing -6x10x6	1
24	A566 1506	Exit Gate Pawl	1
25	A458 2251	Cushion - Bin Solenoid Lever	1
26	5447 2681	Snap Ring	1
27	AB03 0273	Timing Pulley - T20	1
28	A566 1175	Harness Bracket	1
29	5053 0447	Bushing - 6mm	4

Index No.	Part No.	Description	Q'ty Per Assembly
101	1105 0310	Wire Clamp	
102	0314 0060B	Philips Pan Head Screw - M4x6	
103	0720 0030E	Retaining Ring - M3	
104	0720 0040E	Retaining Ring - M4	
105	0720 0060E	Retaining Ring - M6	
106	0951 4006B	Philips Screw With Washer - M4x6	
107	1105 0267	Wire Clamp	

# 4. TRANSPORT DRIVE SECTION 1 (A566)

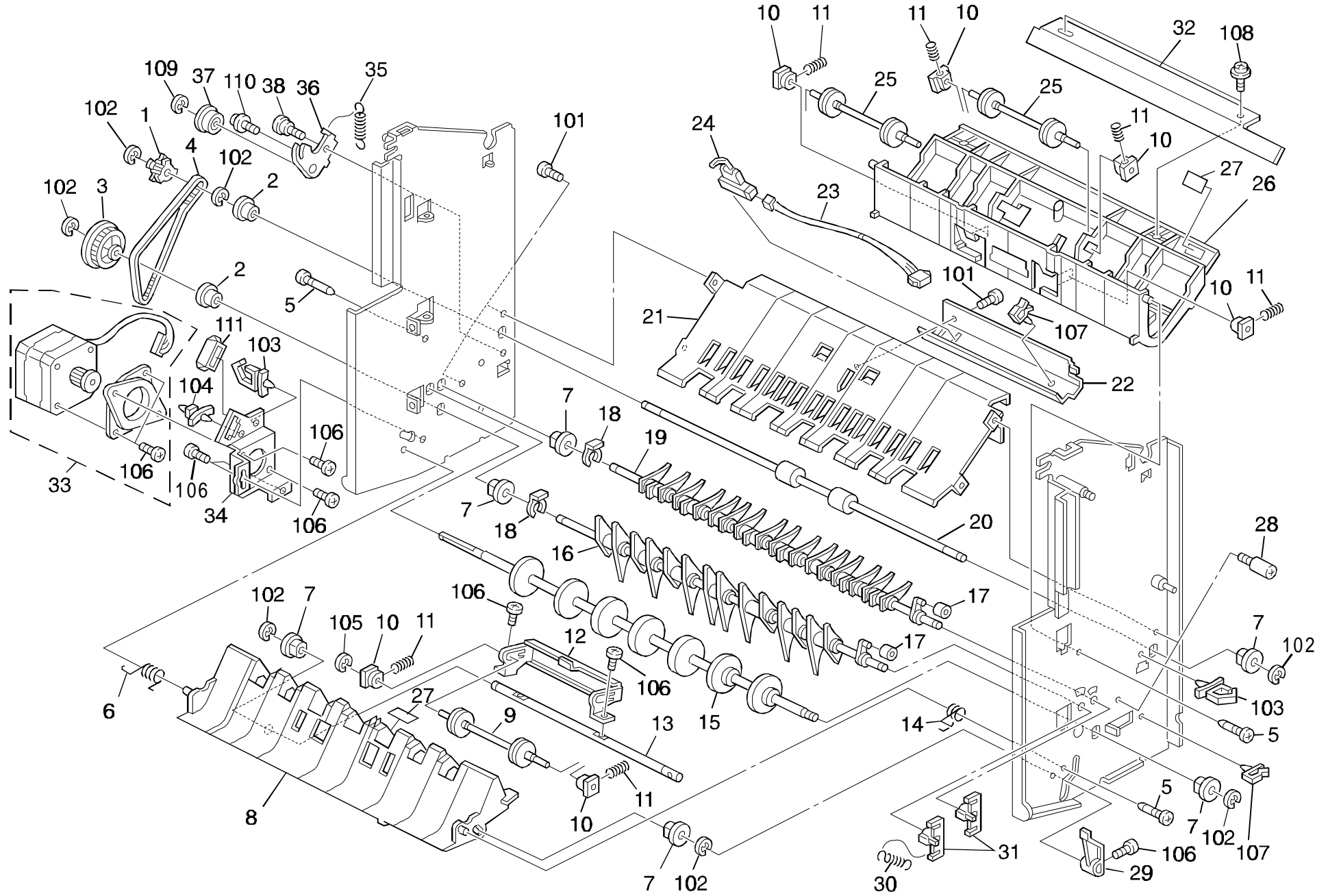


#### 4. TRANSPORT DRIVE SECTION 1 (A566)

Index No.	Part No.	Description	Q'ty Per Assembly
1	A566 2101	Stepping Motor - DC 6.3W	1
2	A566 2105	Motor Bracket	1
3	5413 1882	Stepped Screw	1
4	5442 4121	Spring - Oil Blade	1
5	A566 2115	Tightner Bracket	1
6	AB03 0425	Belt Tension Pulley	2
7	AB03 0374	Timing Pulley - 20Z	2
8	A010 5700	Sensor	2
9	A566 5330	Relay Harness - Reverse Sensor	1
10	A566 1571	Reverse Sensor Bracket	1
11	A566 1561	Lower Middle Guide	1
12	AF02 0305	Transport Roller	1
13	A566 1596	Sensor Bracket	1
14	AW01 0027	Photosensor - ON2530 CT	1
15	A566 5340	Relay Harness - Ppaper Exit	1
16	A566 1581	Upper Middle Guide	1
17	A566 1590	Magnetic Sheet	1
18	A566 1510	Gate Pawl Lever	1
19	AA08 0071	Bushing -6x10x6	5
20	A566 1500	Exit Roller - Lower	1
21	A566 1506	Exit Gate Pawl	1
22	A458 2251	Cushion - Bin Solenoid Lever	1
23	5447 2681	Snap Ring	1
24	AA12 0027	Antistatic Brush	1
25	A566 2140	Timing Belt - B40S3M549	1

Index No.	Part No.	Description	Q'ty Per Assembly
101	0314 0060B	Philips Pan Head Screw - M4x6	
102	0313 0050B	Philips Pan Head Screw - M3x5	
103	0951 4006B	Philips Screw With Washer - M4x6	
104	0720 0060E	Retaining Ring - M6	
105	1105 0310	Wire Clamp	
106	0720 0040E	Retaining Ring - M4	
107	0313 0100B	Philips Pan Head Screw - M3x10	
108	1105 0267	Wire Clamp	
109	1105 0328	Harness Clamp - ES-0505	

# 5. TRANSPORT DRIVE SECTION 2 (A566)

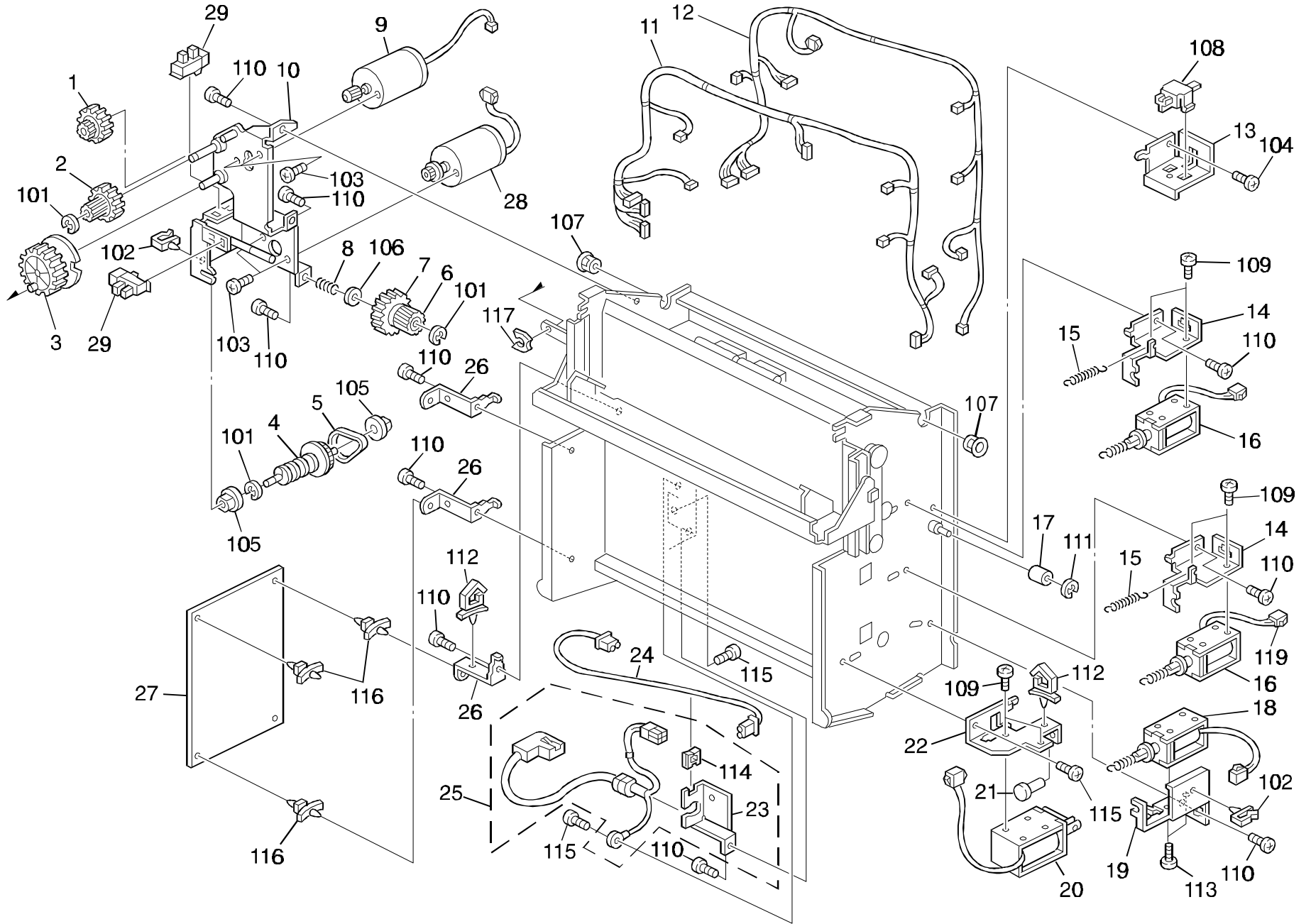


## 5. TRANSPORT DRIVE SECTION 2 (A566)

Index No.	Part No.	Description	Q'ty Per Assembly
1	AB03 0374	Timing Pulley - 20Z	1
2	AA08 0071	Bushing -6x10x6	1
3	A566 2126	Timing Pulley - 40Z	1
4	A566 2130	Timing Belt - B40S3M300	1
5	5446 2824	Screw - Duplex Guide Plate	1
6	A566 3125	Rear Spring	1
7	5053 0447	Bushing - 6mm	1
8	A566 3105	Lower Reverse Guide	1
9	A566 3113	Reverse Driven Roller	1
10	AA08 0034	Bushing - 4x5x7	1
11	AA06 3529	Pressure Spring - 14.5mm	1
12	A566 3112	Driven Roller Bracket	1
13	A566 3111	Driven Roller Shaft	1
14	A566 3120	Front Spring	1
15	A566 1502	Reverse Drive Roller	1
16	A566 1521	Reverse Gate Pawl	1
17	A458 2251	Cushion - Bin Solenoid Lever	1
18	5447 2681	Snap Ring	1
19	A566 1516	Entrance Gate Pawl	1
20	AF02 0305	Transport Roller	1
21	A566 1550	Lower Entrance Guide Plate	1
22	A566 1557	Sensor Bracket	1
23	A566 5350	Relay Harness - Entrance Sensor	1
24	AW02 0077	Photointerruptor - 35°c	1
25	AF02 2075	Driven Roller	1
26	A566 1651	Upper Entrance Guide	1
27	A566 4505	Seal - 15 X 20	1
28	5410 1291	Return Lever Pin	1
29	A566 3130	Driven Roller Lever	1
30	C200 5235	Paper Feed Solenoid Spring	1
31	A566 1510	Gate Pawl Lever	1
32	A566 1652	Upper Guide Holder	1
33	A566 2101	Stepping Motor - DC 6.3W	1
34	A566 2105	Motor Bracket	1
35	5442 4121	Spring - Oil Blade	1

Index No.	Part No.	Description	Q'ty Per Assembly
36	A566 2115	Tightner Bracket	1
37	AB03 0425	Belt Tension Pulley	1
38	5413 1882	Stepped Screw	1
101	0314 0060B	Philips Pan Head Screw - M4x6	
102	0720 0040E	Retaining Ring - M4	
103	1105 0310	Wire Clamp	
104	1105 0159	Pcb Stud	
105	0720 0030E	Retaining Ring - M3	
106	0313 0050B	Philips Pan Head Screw - M3x5	
107	1105 0267	Wire Clamp	
108	0965 4010B	Tapping Screw - M4 X 10	
109	0720 0060E	Retaining Ring - M6	
110	0951 4006B	Philips Screw With Washer - M4x6	
111	1102 5194	Connector - 7P	

# 6. ELECTRICAL SECTION (A566)



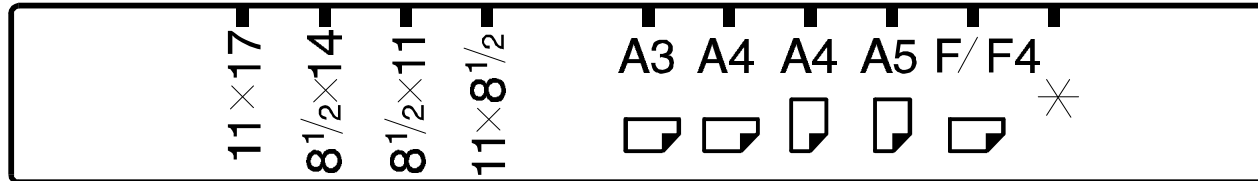
## 6. ELECTRICAL SECTION (A566)

Index No.	Part No.	Description	Q'ty Per Assembly
1	A566 3733	Slide Gear	1
2	AB01 7201	Gear - 51/19Z	1
3	A566 3731	Slide Gear	1
4	A566 3741	Worm Pulley	1
5	A566 3762	Timing Belt - B40S2M100	1
6	A566 3751	Gear - 18Z	1
7	A566 3752	Gear - 25Z	1
8	A566 3753	Pressure Spring	1
9	AX04 0085	DC Motor - DC24V - CT	1
10	A566 3710	Shift Tray Drive Bracket	1
11	A566 5310	Sensor Harness	1
12	A566 5300	Main Harness	1
13	A566 1136	Switch Bracket	1
14	A566 1530	Solenoid Bracket	2
15	A409 1153	Spring - Invertor Guide Plate	2
16	A566 1526	DC Solenoid - 24V 7.2W	2
17	A393 4639	Collar	1
18	A566 1536	DC Solenoid - 24V 3.8W	1
19	A566 1540	Solenoid Bracket	1
20	A566 3145	Reverse Solenoid Ass'y	1
21	A422 1108	Stopper	1
22	A566 3150	Solenoid Bracket	1
23	A566 1170	Harness Bracket	1
24	AW03 0066	Optical Fiber - 500mm	1
25	A566 5410	Power Supply Cord	1
26	A566 1175	Harness Bracket	2
27	A566 5100	Main Control Board	1
28	AX04 0084	DC Motor - DC24V CT	1
29	AW02 0075	Photointerrupter	2

Index No.	Part No.	Description	Q'ty Per Assembly
101	0720 0040E	Retaining Ring - M4	
102	1105 0267	Wire Clamp	
103	0313 0050B	Philips Pan Head Screw - M3x5	
104	0314 0040B	Philips Pan Head Screw - M4x4	
105	0805 3383	Bushing - M5	
106	0807 4118	Flat Washer	
107	1106 0411	Bushing - 11.5mm	
108	1204 2379	Micro Switch - CS2A-B2BA	
109	0313 0040B	Philips Pan Head Screw - M3x4	
110	0314 0060B	Philips Pan Head Screw - M4x6	
111	0720 0030E	Retaining Ring - M3	
112	1105 0310	Wire Clamp	
113	0313 0030B	Philips Pan Head Screw - M3x3	
114	1105 0328	Harness Clamp - ES-0505	
115	0950 4006B	Screw - M4X6	
116	1105 0159	PCB Stud	
117	0805 0092	Retaining Ring - 3m	

## 7. DECAL AND DOCUMENT (A566)

1



2





## 7. DECAL AND DOCUMENT (A566)

Index No.	Part No.	Description	Q'ty Per Assembly
1	A566 4550	Decal:paper Size Sensor:SP -EXP:NA	1
2	A566 4521	Decal - Misfeed Removal	1

Index No.	Part No.	Description	Q'ty Per Assembly
-----------	----------	-------------	-------------------

# **PARTS INDEX**

Part No.	Description	Page and Index No.
A566 1120	Upper Stay	7- 24
A566 1126	Lower Stay	7- 7
A566 1127	Release Guide	5- 6
A566 1130	Hinge Stopper	7- 5
A566 1136	Switch Bracket	15- 13
A566 1140	Front Bracket - Copy Tray	5- 13
A566 1145	Rear Bracket - Copy Tray	5- 14
A566 1150	Hinge Bracket	5- 4
A566 1155	Grounding : Open And Close	5- 18
A566 1160	Release Bracket	5- 5
A566 1170	Harness Bracket	15- 23
A566 1175	Harness Bracket	9- 28
A566 1175	Harness Bracket	15- 26
A566 1180	Grounding Plate	5- 12
A566 1500	Exit Roller - Lower	9- 5
A566 1500	Exit Roller - Lower	11- 20
A566 1501	Upper Exit Roller	9- 6
A566 1502	Reverse Drive Roller	13- 15
A566 1506	Exit Gate Pawl	9- 24
A566 1506	Exit Gate Pawl	11- 21
A566 1510	Gate Pawl Lever	9- 22
A566 1510	Gate Pawl Lever	11- 18
A566 1510	Gate Pawl Lever	13- 31
A566 1516	Entrance Gate Pawl	13- 19
A566 1521	Reverse Gate Pawl	13- 16
A566 1526	DC Solenoid - 24V 7.2W	15- 16
A566 1530	Solenoid Bracket	15- 14
A566 1536	DC Solenoid - 24V 3.8W	15- 18
A566 1540	Solenoid Bracket	15- 19
A566 1550	Lower Entrance Guide Plate	13- 21
A566 1557	Sensor Bracket	13- 22
A566 1561	Lower Middle Guide	11- 11
A566 1571	Reverse Sensor Bracket	11- 10
A566 1581	Upper Middle Guide	11- 16
A566 1590	Magnetic Sheet	11- 17

Part No.	Description	Page and Index No.
A566 1596	Sensor Bracket	11- 13
A566 1601	Upper Shift Guide	7- 14
A566 1611	Paper Holder Lever	7- 19
A566 1612	Paper Holder Shaft	7- 20
A566 1620	Middle Shift Guide	9- 16
A566 1626	Upper Exit Cover	9- 4
A566 1630	Lower Exit Cover	9- 2
A566 1636	Release Middle Guide	7- 22
A566 1651	Upper Entrance Guide	13- 26
A566 1652	Upper Guide Holder	13- 32
A566 2101	Stepping Motor - DC 6.3W	11- 1
A566 2101	Stepping Motor - DC 6.3W	13- 33
A566 2105	Motor Bracket	11- 2
A566 2105	Motor Bracket	13- 34
A566 2115	Tightner Bracket	9- 21
A566 2115	Tightner Bracket	11- 5
A566 2115	Tightner Bracket	13- 36
A566 2126	Timing Pulley - 40Z	13- 3
A566 2130	Timing Belt - B40S3M300	13- 4
A566 2140	Timing Belt - B40S3M549	11- 25
A566 2155	Timing Belt - B40S3M339	9- 18
A566 3105	Lower Reverse Guide	13- 8
A566 3111	Driven Roller Shaft	13- 13
A566 3112	Driven Roller Bracket	13- 12
A566 3113	Reverse Driven Roller	13- 9
A566 3120	Front Spring	13- 14
A566 3125	Rear Spring	13- 6
A566 3130	Driven Roller Lever	13- 29
A566 3145	Reverse Solenoid Ass'y	15- 20
A566 3150	Solenoid Bracket	15- 22
A566 3521	Slide Guide Stay	9- 9
A566 3530	End Fence Assy	9- 7
A566 3541	Roller Color	9- 10
A566 3542	Roller Bracket	9- 8
A566 3543	Slider Lever	9- 15

Part No.	Description	Page and Index No.
A566 3610	Rail Holder	7- 9
A566 3620	Rail Support Plate	7- 10
A566 3630	Copy Tray Rail	7- 12
A566 3710	Shift Tray Drive Bracket	15- 10
A566 3731	Slide Gear	15- 3
A566 3733	Slide Giar	15- 1
A566 3741	Worm Pulley	15- 4
A566 3751	Gear - 18Z	15- 6
A566 3752	Gear - 25Z	15- 7
A566 3753	Pressure Spring	15- 8
A566 3762	Timing Belt - B40S2M100	15- 5
A566 3811	Shift Drive Shaft	7- 13
A566 3812	Driven Gear - 49z	7- 3
A566 3813	Pulley - 17Z	7- 4
A566 3831	Rear Mounting Plate	7- 8
A566 3832	Front Mounting Plate	7- 11
A566 3841	Timing Belt - 285P3M6	7- 1
A566 3850	Screw	9- 12
A566 4101	Front Cover Ass'y	5- 11
A566 4211	Rear Cover	5- 1
A566 4311	Upper Cover	5- 2
A566 4411	Copy Tray	5- 16
A566 4500	Grip Sheel	7- 26
A566 4505	Seal - 15 X 20	13- 27
A566 4521	Decal - Misfeed Removal	5- 3
A566 4521	Decal - Misfeed Removal	17- 2
A566 4550	Decal:paper Size Sensor:SP -EXP:NA	17- 1
A566 5100	Main Control Board	15- 27
A566 5300	Main Harness	15- 12
A566 5310	Sensor Harness	15- 11
A566 5320	Relay Harness - Paper Level	9- 11
A566 5330	Relay Harness - Reverse Sensor	11- 9
A566 5340	Relay Harness - Ppaper Exit	11- 15
A566 5350	Relay Harness - Entrance Sensor	13- 23
A566 5410	Power Supply Cord	15- 25

Part No.	Description	Page and Index No
AA06 3529	Pressure Spring - 14.5mm	7- 17
AA06 3529	Pressure Spring - 14.5mm	13- 11
AA08 0034	Bushing - 4x5x7	7- 16
AA08 0034	Bushing - 4x5x7	13- 10
AA08 0071	Bushing -6x10x6	9- 23
AA08 0071	Bushing -6x10x6	11- 19
AA08 0071	Bushing -6x10x6	13- 2
AA12 0027	Antistatic Brush	7- 15
AA12 0027	Antistatic Brush	9- 3
AA12 0027	Antistatic Brush	11- 24
AA14 3037	Development Cover Screw	5- 7
AA14 3307	Stepped Screw - M3x4	5- 9
AA16 1029	Rubber Seal - 0.8x8x15	7- 18
AA16 2051	Cushion	5- 17
AB01 7201	Gear - 51/19Z	15- 2
AB03 0250	Idle Pulley - 17z	7- 2
AB03 0273	Timing Pulley - T20	9- 27
AB03 0362	Timing Pulley - 15Z	9- 17
AB03 0374	Timing Pulley - 20Z	9- 1
AB03 0374	Timing Pulley - 20Z	11- 7
AB03 0374	Timing Pulley - 20Z	13- 1
AB03 0425	Belt Tension Pulley	11- 6
AB03 0425	Belt Tension Pulley	13- 37
AF02 0305	Transport Roller	11- 12
AF02 0305	Transport Roller	13- 20
AF02 2075	Driven Roller	7- 21
AF02 2075	Driven Roller	13- 25
AF04 3076	Copy Tray Slide	5- 15
AG07 0004	Magnetic Catch	7- 23
AW01 0027	Photosensor - ON2530 CT	9- 13
AW01 0027	Photosensor - ON2530 CT	11- 14
AW02 0075	Photointerrupter	15- 29
AW02 0077	Photointerruptor - 35°C	13- 24
AW02 0079	Photointerruptor	9- 14
AW03 0066	Optical Fiber - 500mm	15- 24

Part No.	Description	Page and Index No.
AX04 0084	DC Motor - DC24V CT	15- 28
AX04 0085	DC Motor - DC24V - CT	15- 9
C200 5235	Paper Feed Solenoid Spring	13- 30

Part No.	Description	Page and Index No
A010 5700	Sensor	11- 8
A393 4517	Cushion - Sorter	5- 10
A393 4639	Collar	15- 17
A409 1153	Spring - Invertor Guide Plate	15- 15
A422 1108	Stopper	15- 21
A458 2251	Cushion - Bin Solenoid Lever	9- 25
A458 2251	Cushion - Bin Solenoid Lever	11- 22
A458 2251	Cushion - Bin Solenoid Lever	13- 17
5053 0447	Bushing - 6mm	7-103
5053 0447	Bushing - 6mm	9- 29
5053 0447	Bushing - 6mm	13- 7
5410 1291	Return Lever Pin	7- 25
5410 1291	Return Lever Pin	13- 28
5413 1882	Stepped Screw	9- 20
5413 1882	Stepped Screw	11- 3
5413 1882	Stepped Screw	13- 38
5442 4121	Spring - Oil Blade	9- 19
5442 4121	Spring - Oil Blade	11- 4
5442 4121	Spring - Oil Blade	13- 35
5446 2824	Screw - Duplex Guide Plate	13- 5
5447 2681	Snap Ring	5- 8
5447 2681	Snap Ring	7- 6
5447 2681	Snap Ring	9- 26
5447 2681	Snap Ring	11- 23
5447 2681	Snap Ring	13- 18

Part No.	Description	Page and Index No.
0313 0030B	Philips Pan Head Screw - M3x3	15-113
0313 0040B	Philips Pan Head Screw - M3x4	15-109
0313 0050B	Philips Pan Head Screw - M3x5	11-102
0313 0050B	Philips Pan Head Screw - M3x5	13-106
0313 0050B	Philips Pan Head Screw - M3x5	15-103
0313 0100B	Philips Pan Head Screw - M3x10	11-107
0314 0040B	Philips Pan Head Screw - M4x4	15-104
0314 0060B	Philips Pan Head Screw - M4x6	5-103
0314 0060B	Philips Pan Head Screw - M4x6	7-101
0314 0060B	Philips Pan Head Screw - M4x6	9-102
0314 0060B	Philips Pan Head Screw - M4x6	11-101
0314 0060B	Philips Pan Head Screw - M4x6	13-101
0314 0060B	Philips Pan Head Screw - M4x6	15-110
0314 0120B	Philips Pan Head Screw - M4x12	5-102
0344 0060F	Philips Truss Head Screw - M4x6	5-101
0434 0102B	Tapping Screw - M4x10	7-104
0720 0030E	Retaining Ring - M3	9-103
0720 0030E	Retaining Ring - M3	13-105
0720 0030E	Retaining Ring - M3	15-111
0720 0040E	Retaining Ring - M4	7-102
0720 0040E	Retaining Ring - M4	9-104
0720 0040E	Retaining Ring - M4	11-106
0720 0040E	Retaining Ring - M4	13-102
0720 0040E	Retaining Ring - M4	15-101
0720 0060E	Retaining Ring - M6	9-105
0720 0060E	Retaining Ring - M6	11-104
0720 0060E	Retaining Ring - M6	13-109
0805 0092	Retaining Ring - 3m	15-117
0805 3383	Bushing - M5	15-105
0807 4118	Flat Washer	15-106
0950 4006B	Screw - M4X6	15-115
0951 4006B	Philips Screw With Washer - M4x6	9-106
0951 4006B	Philips Screw With Washer - M4x6	11-103
0951 4006B	Philips Screw With Washer - M4x6	13-110
0951 4008B	Philips Screw With Washer - M4x8	7-107

Part No.	Description	Page and Index No
0965 4010B	Tapping Screw - M4 X 10	13-108
1102 5194	Connector - 7P	13-111
1105 0008	Nylon Clamp - 2n	7-106
1105 0159	Pcb Stud	13-104
1105 0159	PCB Stud	15-116
1105 0267	Wire Clamp	9-107
1105 0267	Wire Clamp	11-108
1105 0267	Wire Clamp	13-107
1105 0267	Wire Clamp	15-102
1105 0310	Wire Clamp	7-105
1105 0310	Wire Clamp	9-101
1105 0310	Wire Clamp	11-105
1105 0310	Wire Clamp	13-103
1105 0310	Wire Clamp	15-112
1105 0328	Harness Clamp - ES-0505	11-109
1105 0328	Harness Clamp - ES-0505	15-114
1106 0411	Bushing - 11.5mm	15-107
1204 2379	Micro Switch - CS2A-B2BA	15-108